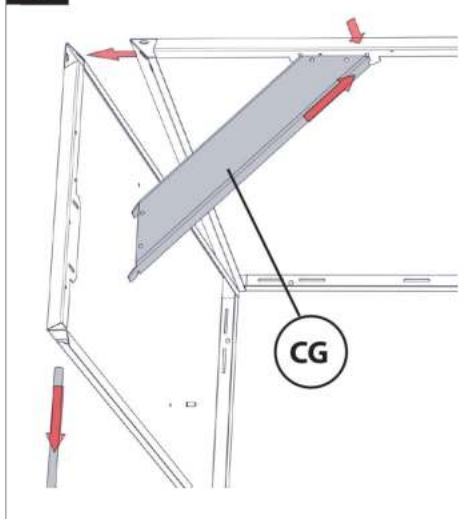


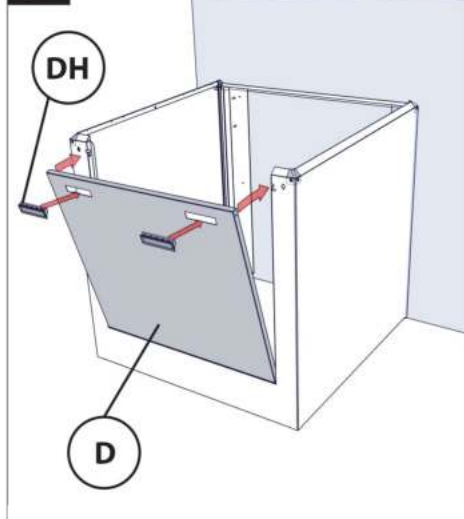
<1.7m WIDE
BACKLESS MODEL

6 BOXES >1600mm WIDE ONLY



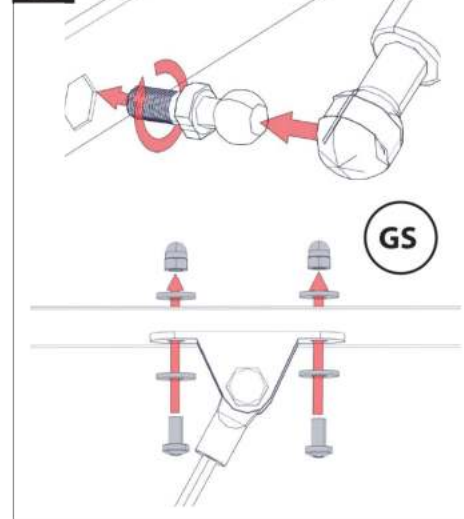
Insert corner gussets into the side and front panels by inserting into the corner and pushing downwards. Remove metal dowel if applicable to your model.

7



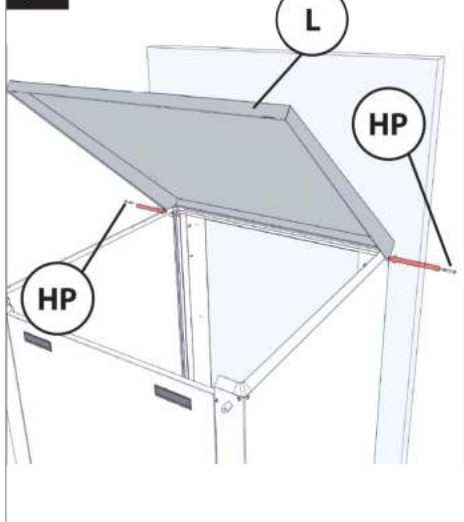
Insert the handles into the door until a "click" is heard. Place the removable front door into the panel by placing the lip of the door over the front panel step. Insert the door by aligning the studs on the side with the slots in the front panel. Push in slightly and then down.

8



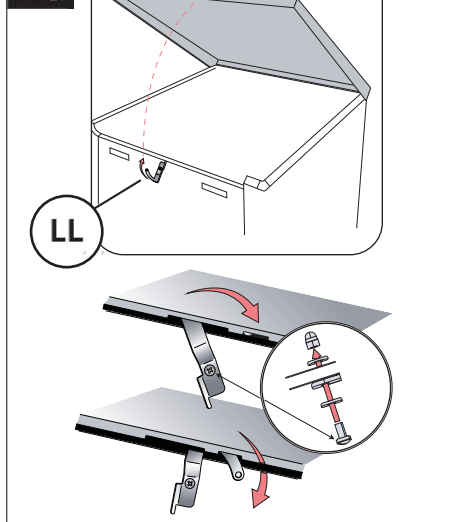
Attach gas struts to the side panel by attaching ball bearing first. Now push the struts onto the ball bearing. Insert bolt and washer into the faceplate of the strut and through the predrilled holes in the top door and secure with the dome nuts provided,

9



Attach lid to unit with hinge pins. Align pins with holes and tap into place with a mallet. Insert door latches into slots in lid.

10

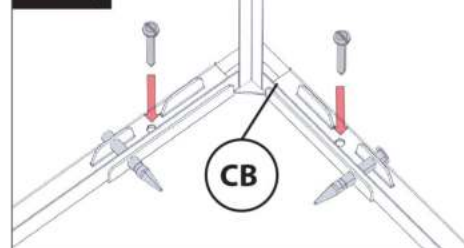


Attach the latch to the door using the supplied screw/washer/nut as per above. Rotate the Latch clockwise to 'lock' into the top lid.

11a



11b



Push base pins into holes in the bottom edge of outer panels and through corner bracket (a). Anchor box to timber base frame as shown or concrete slab / other flat surface (b). Do this for for all 4 corners.



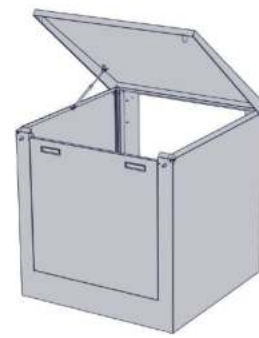
6 Carolyn Street, Silverwater, NSW 2128
T: (02) 9620 5430 E: info@acousticbox.com.au W: www.acousticbox.com.au

For our **3D Assembly Instructions** please scan the QR code below or go to:

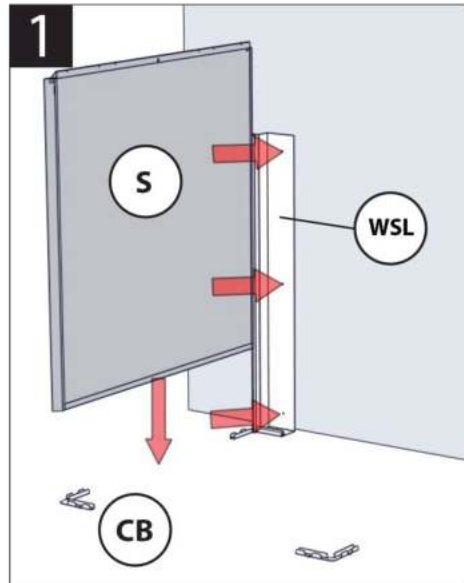
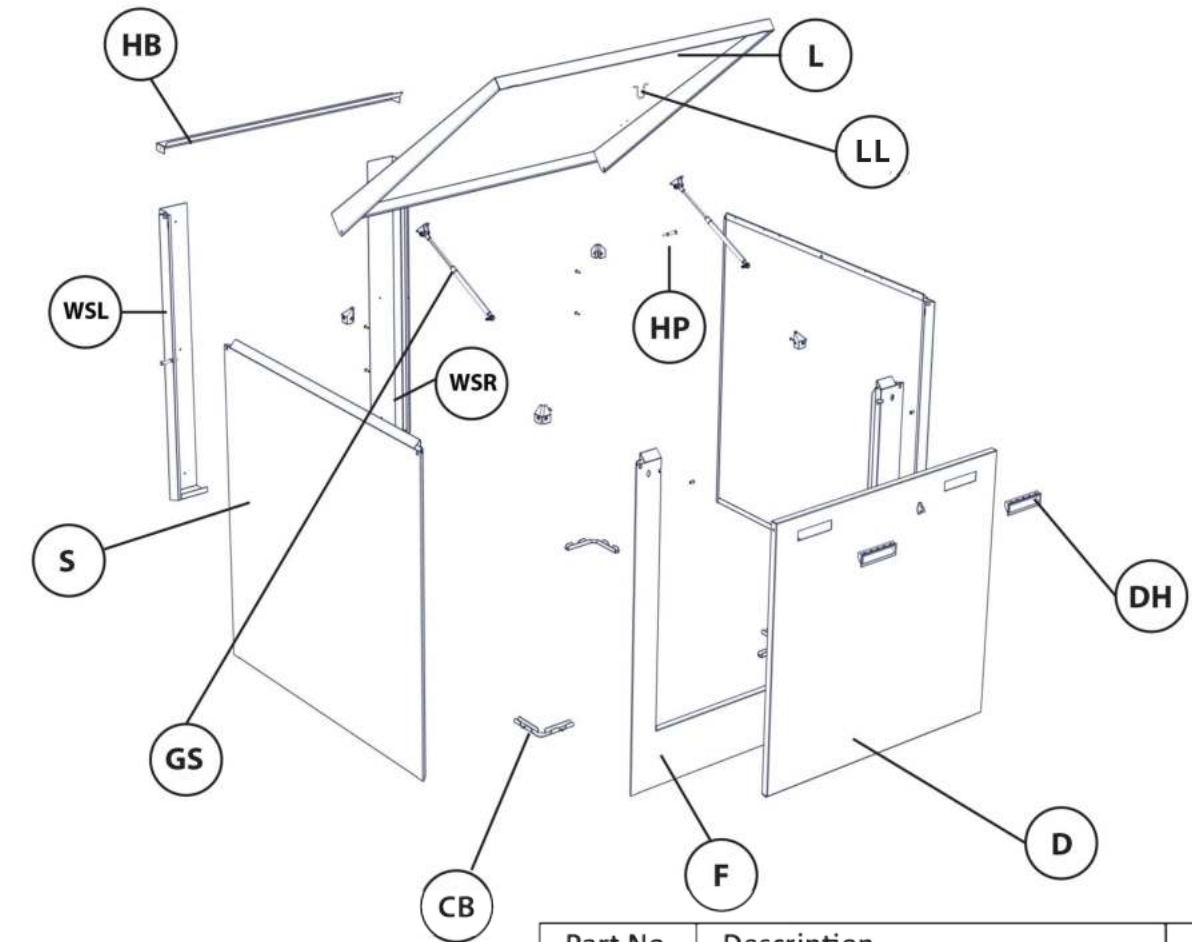
<https://www.acousticbox.com.au/html/acoustic-box-301118/index.html>



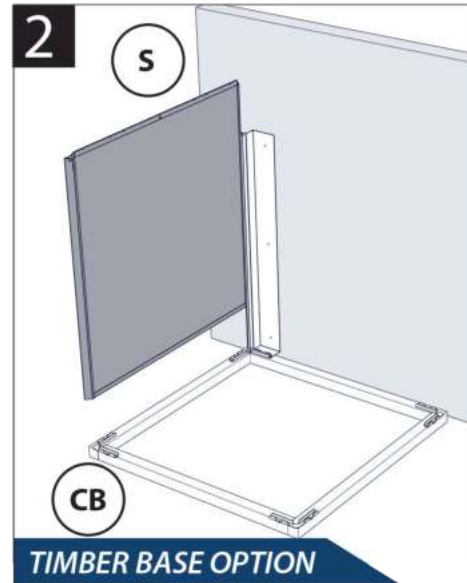
THE ACOUSTIC BOX



<1.7m WIDE
BACKLESS MODEL

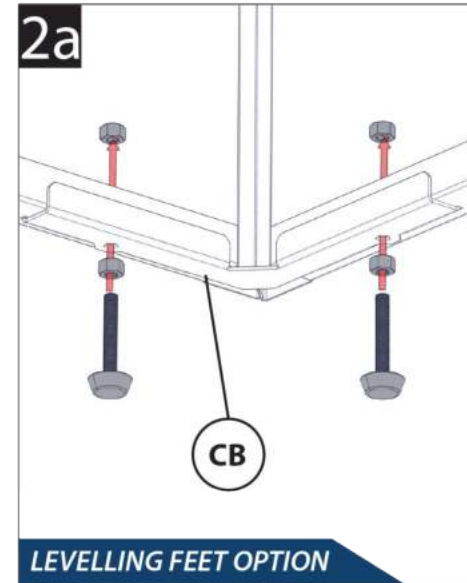


Locate slots on bottom of side panel and wall fixing strip and push down onto corner bracket. Fix wall fixing strip to wall using appropriate anchors.



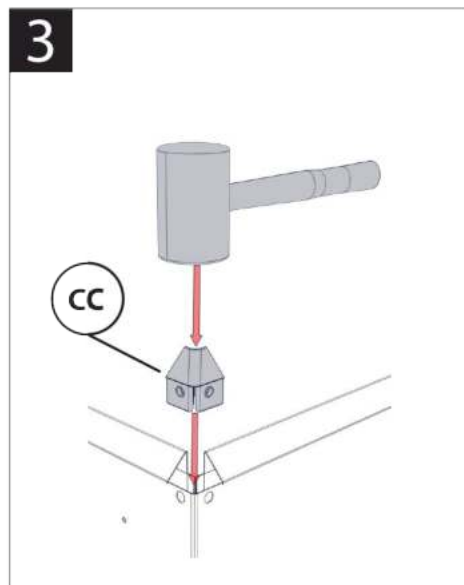
TIMBER BASE OPTION

If no concrete slab / other flat surface is available, use timber base frame as shown.

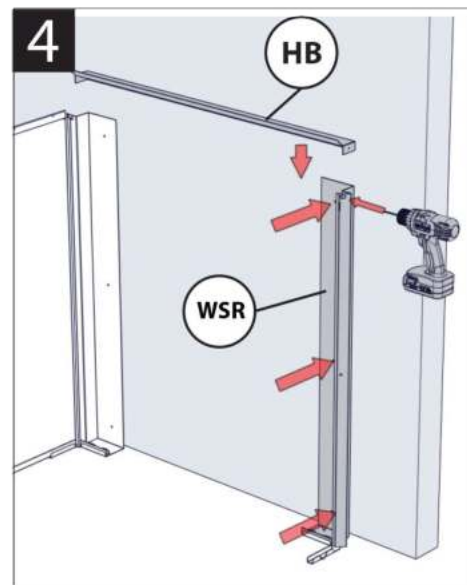


LEVELLING FEET OPTION

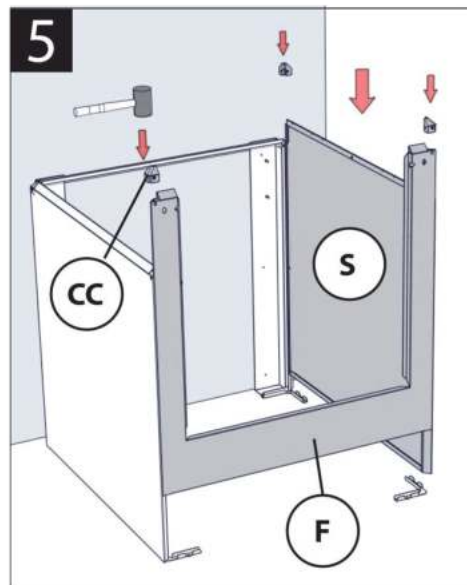
If installing on an uneven / unlevelled surface, please use the optional feet (through holes in bottom corners) to raise the box and adjust the nuts below / above the corner bracket to suit.



Now insert a plastic cap into the holes in the top of the panel to join them. Tap into place with a mallet.



Install the Horizontal Bridge Cover, installed on the outside of the wall fixings strips. Use 2 metal tek screws to attach the horizontal bridge cover to the wall fixings strips. Fix the wall fixing strips to the wall using appropriate wall fixing anchors through the pre drilled holes.



Insert other side panel and cap. Slide front panel onto corner brackets. Insert the last 2 caps. If you have models >1.6m wide, see step 6 before inserting caps.

REQUIRED TOOLS

POWER DRILL

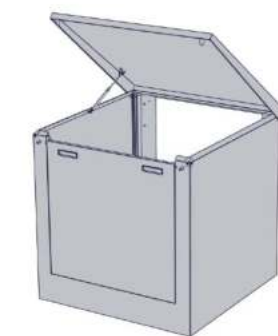


PHILLIPS SCREWDRIVER

RUBBER MALLET

Part No.	Description	Qty.
S	SIDE PANEL	2
F	FRONT PANEL	1
D	REMOVABLE FRONT DOOR	1
L	LID	1
CB	CORNER BRACKET	4
HP	HINGE PIN	2
GS	GAS STRUT	2
LL	LATCH	1
CC	CORNER CAP	4
BP	BASE PIN	8
DH	DOOR HANDLE	2
WSL	WALL FIXING STRIP LEFT	1
WSR	WALL FIXING STRIP RIGHT	1
HB	HORIZONTAL BRIDGE COVER	1
CG	CORNER GUSSET (>1600mm MODELS)	2

THE ACOUSTIC BOX



<1.7m
BACKLESS