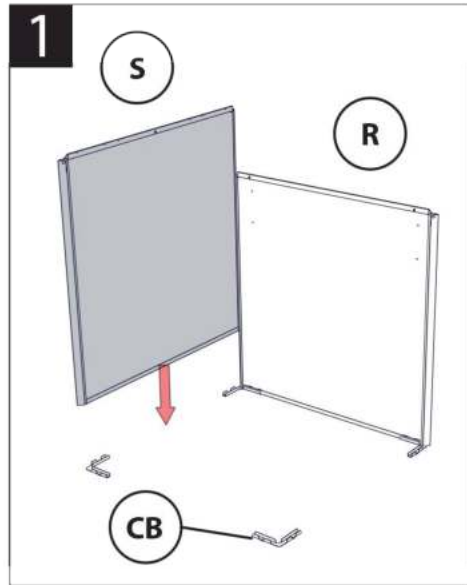
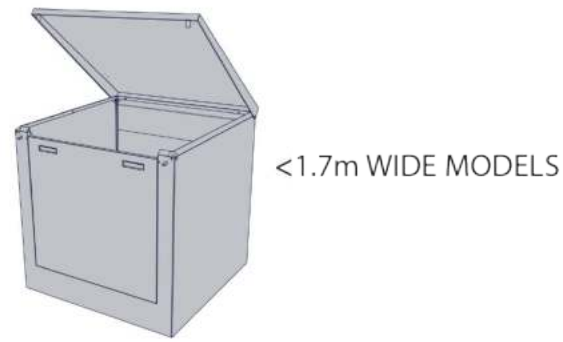
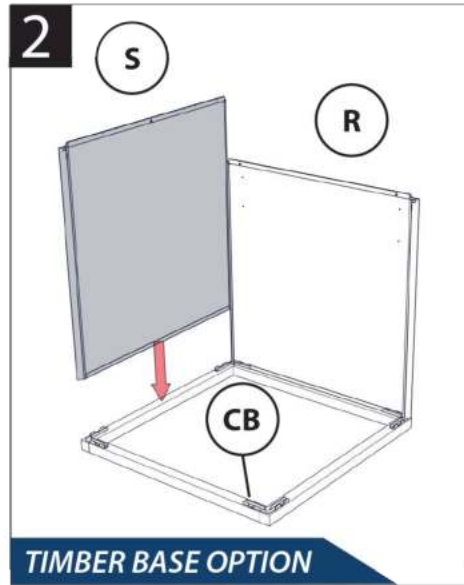


# THE ACOUSTIC BOX

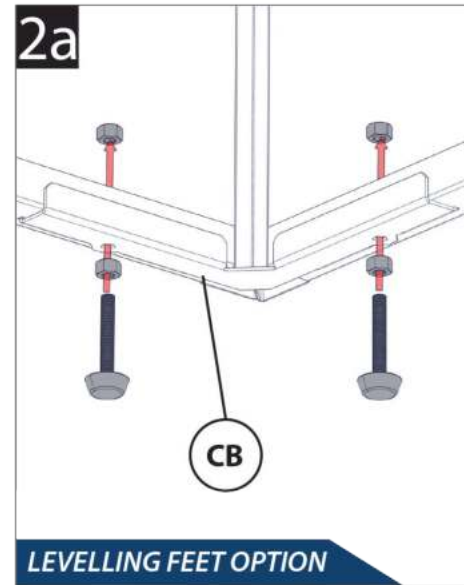


Place slots on bottom of side and rear panel and locate on slots on corner brackets.



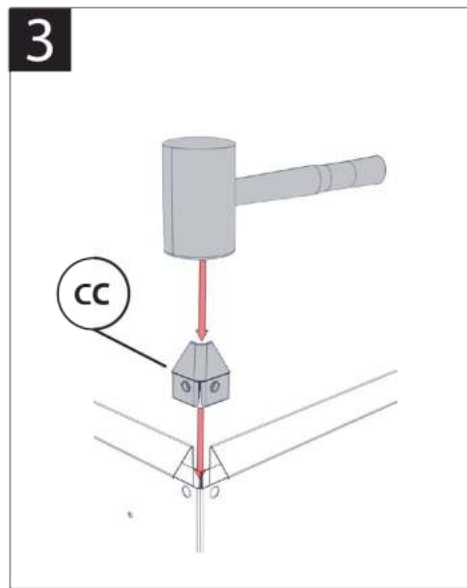
**TIMBER BASE OPTION**

If no concrete slab / other flat surface is available, use timber base frame as shown.

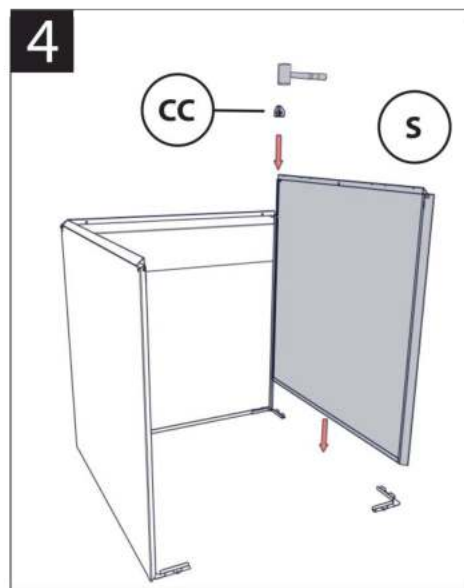


**LEVELLING FEET OPTION**

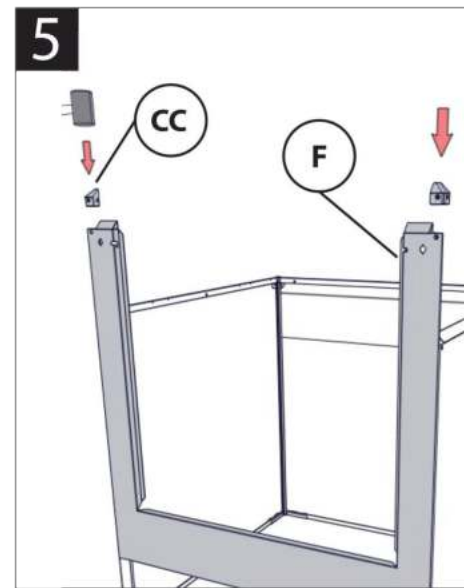
If installing on an uneven / unlevelled surface, please use the optional feet (through holes in bottom corners) to raise the box and adjust the nuts below / above the corner bracket to suit.



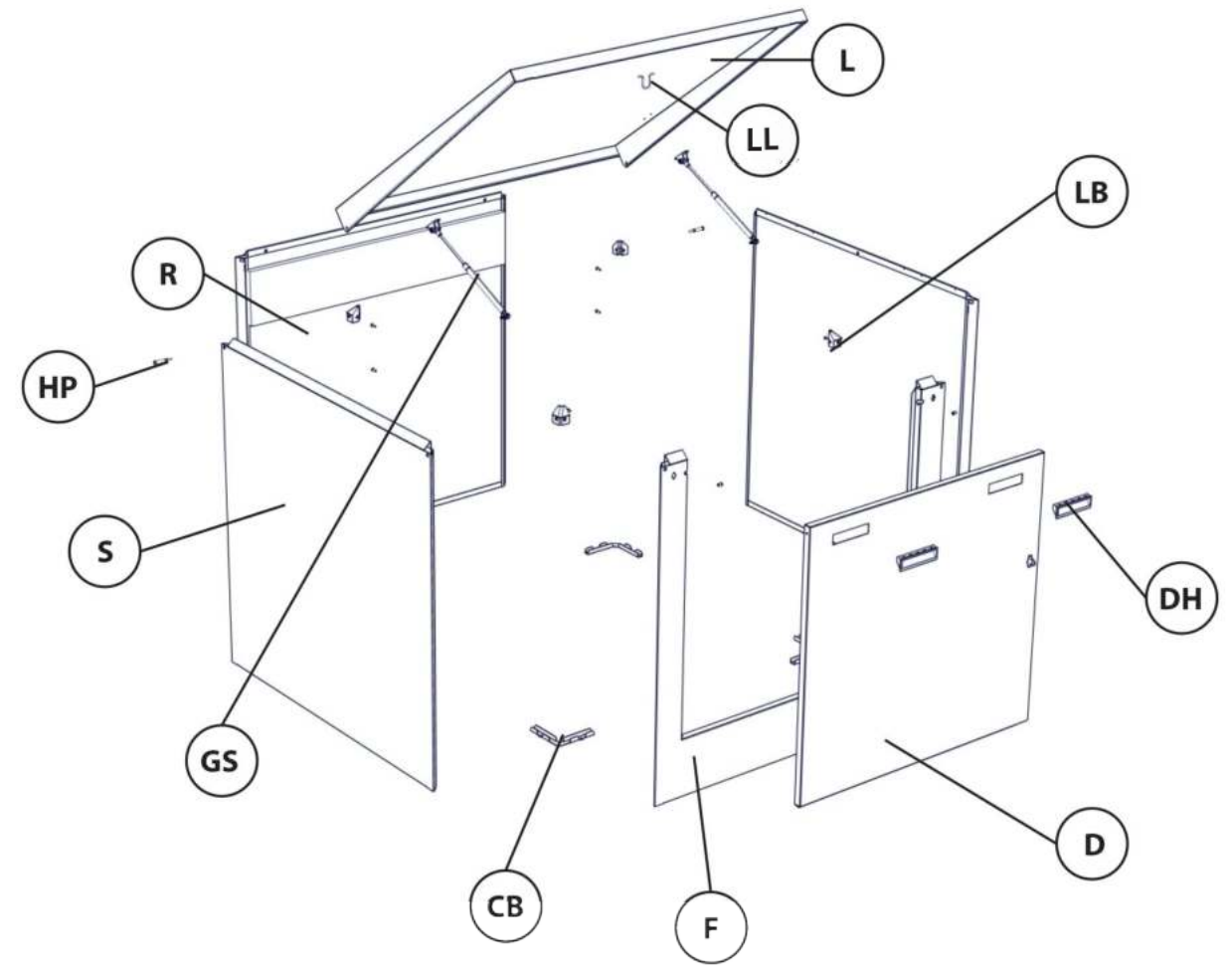
Now insert a plastic cap into the holes in the top of the panel to join them. Tap into place with a mallet.



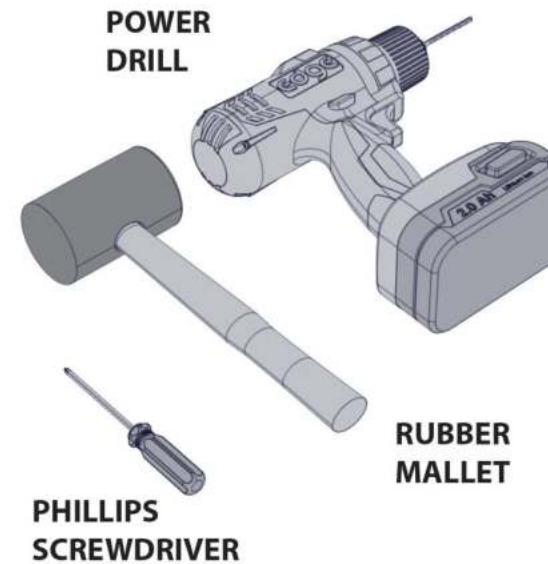
Insert the other side panel and cap.



Slide front panel onto corner brackets. Insert the last 2 caps. If you have >1.6m wide models, see step 6 before inserting caps.

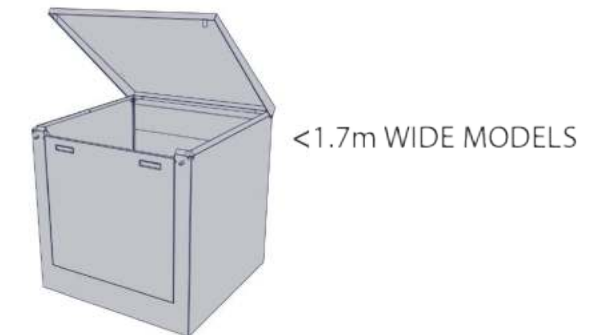


## REQUIRED TOOLS



Part No.	Description	Qty.
S	SIDE PANEL	2
R	REAR PANEL	1
F	FRONT PANEL	1
D	REMOVABLE FRONT DOOR	1
L	TOP DOOR	1
CB	CORNER BRACKET	4
HP	HINGE PIN	2
GS	GAS STRUT	2
LL	LATCH	1
CC	CORNER CAP	4
LB	LOCK BRACKET	2
DH	DOOR HANDLE	2
CG	CORNER GUSSET (>1600mm MODELS)	2
BP	BASE PIN	8

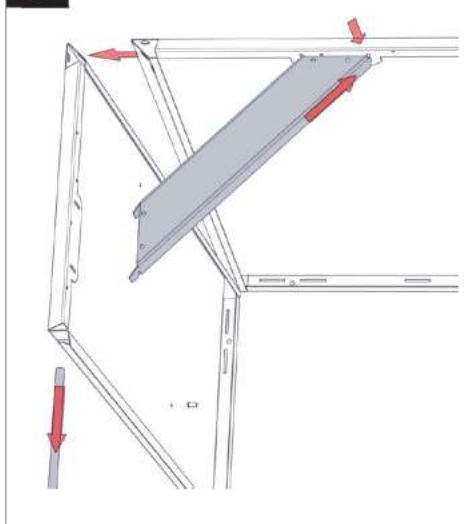
# THE ACOUSTIC BOX





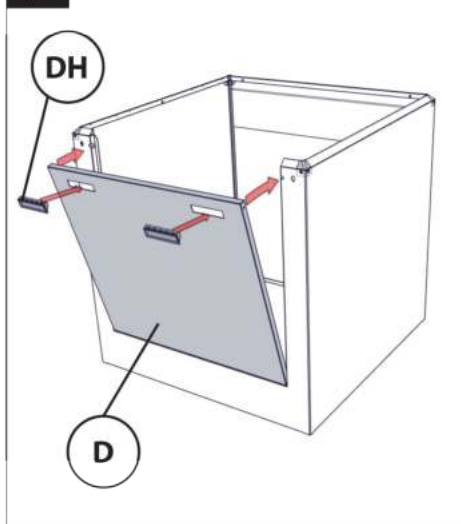
<1.7m MODELS

**6** BOXES >1600mm WIDE ONLY



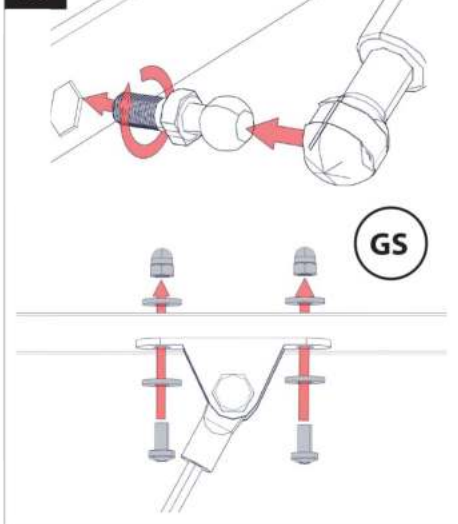
Insert corner gussets into the side and front panels by inserting into the corner and pushing downwards. Remove metal dowel if applicable to your model.

**7**



Insert the handles into the door until a "click" is heard. Place the removable front door into the panel by placing the lip of the door over the front panel step. Insert the door by aligning the studs on the side with the slots in the front panel. Push in slightly and then down.

**8**



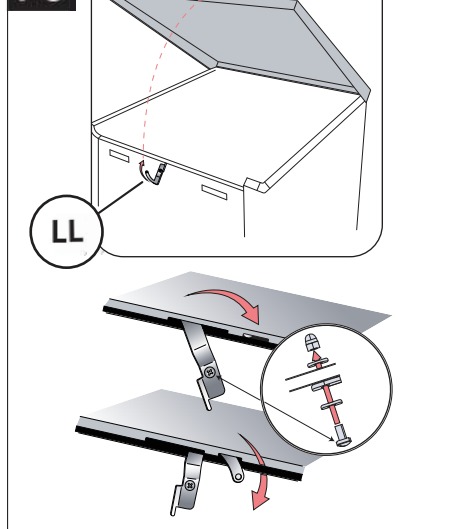
Attach gas struts to the side panel by attaching ball bearing first. Now push the struts onto the ball bearing. Insert bolt and washer into the faceplate of the strut and through the predrilled holes in the top door and secure with the dome nuts provided.

**9**



Attach top door to unit with hinge pins. Align pins with holes and tap into place with a mallet.

**10**

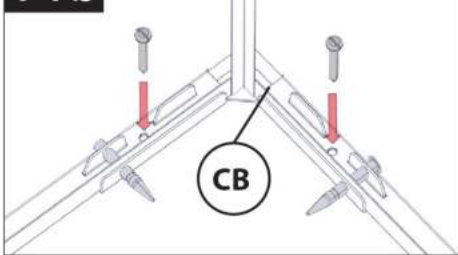


Attach the latch to the door using the supplied screw/washer/nut as per above. Rotate the Latch clockwise to 'lock' into the top lid.

**11a**



**11b**



Push base pins into holes in the bottom edge of outer panels and through corner bracket (a). Anchor box to timber base frame as shown or concrete slab / other flat surface (b). Do this for for all 4 corners.



6 Carolyn Street, Silverwater , NSW 2128  
T: (02) 9620 5430 E: [info@acousticbox.com.au](mailto:info@acousticbox.com.au) W: [www.acousticbox.com.au](http://www.acousticbox.com.au)

For our **3D Assembly Instructions** please scan the QR code below or go to:

<https://www.acousticbox.com.au/html/acoustic-box-301118/index.html>

