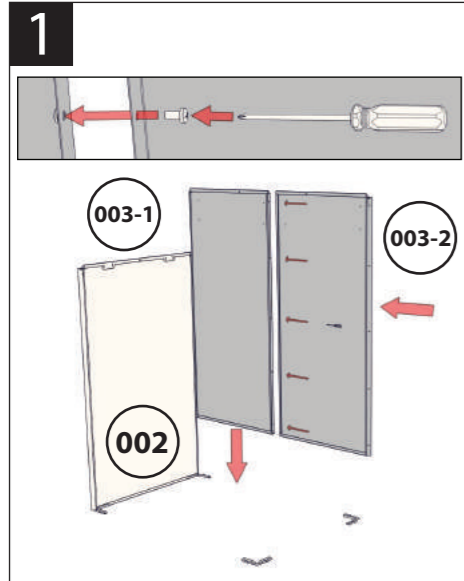
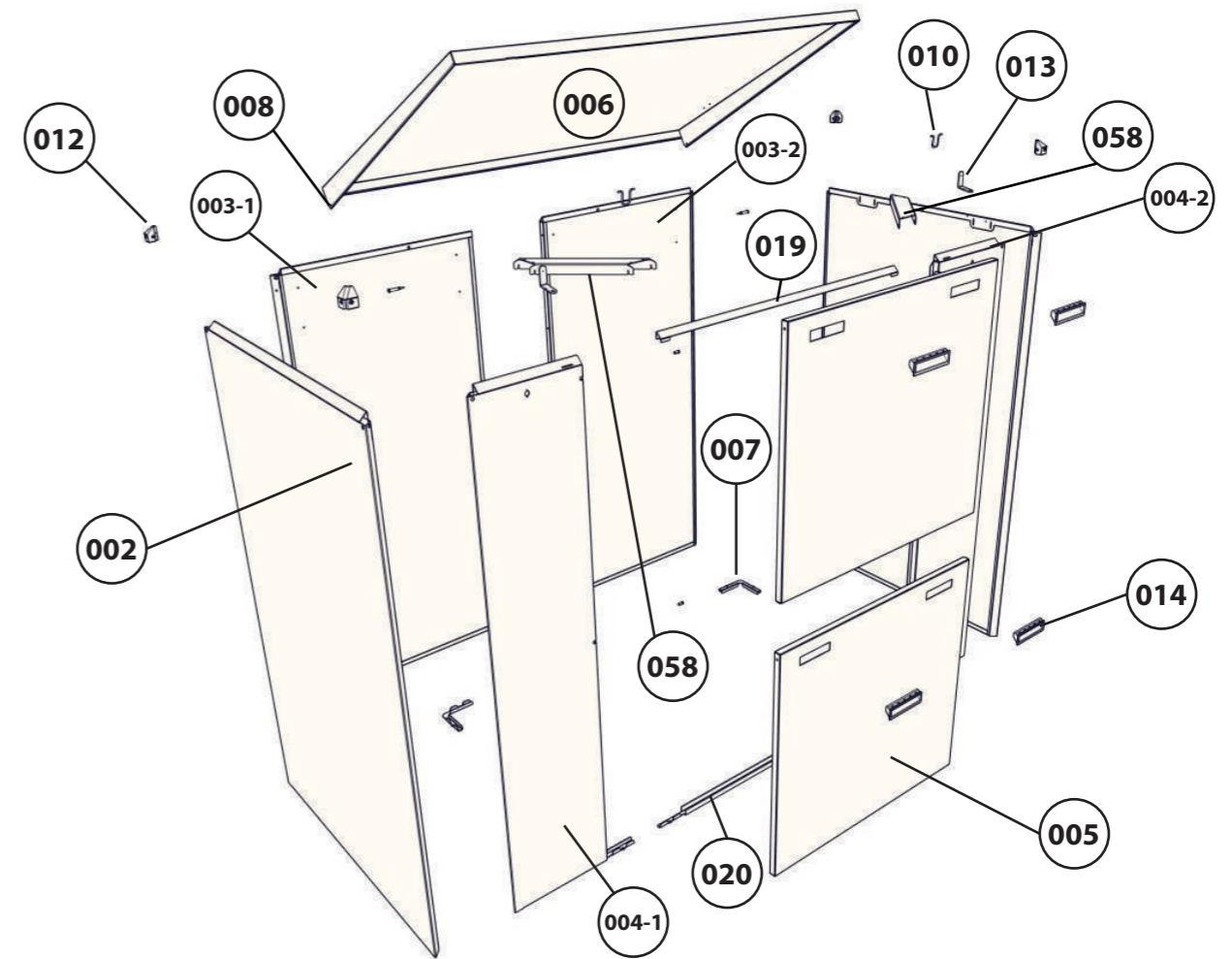
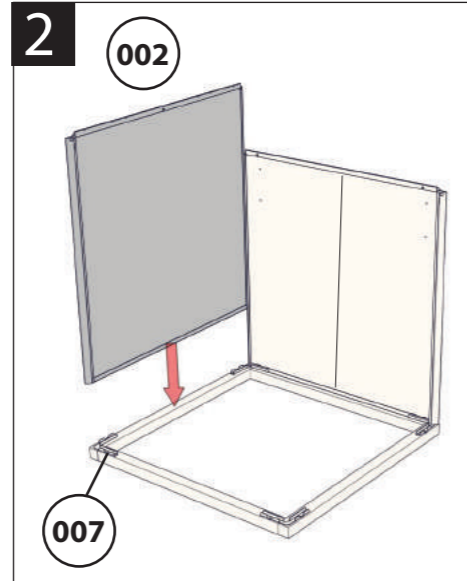


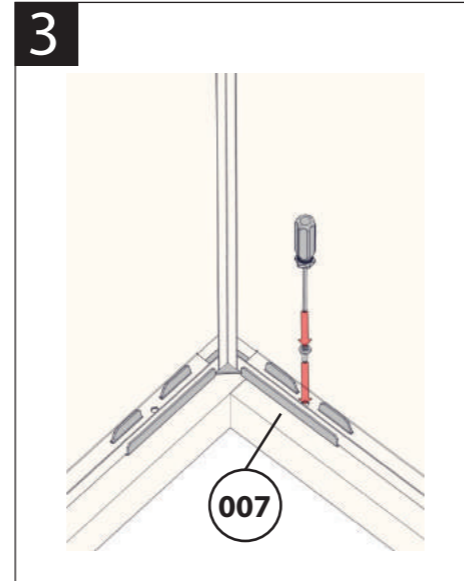
MODEL 1800H



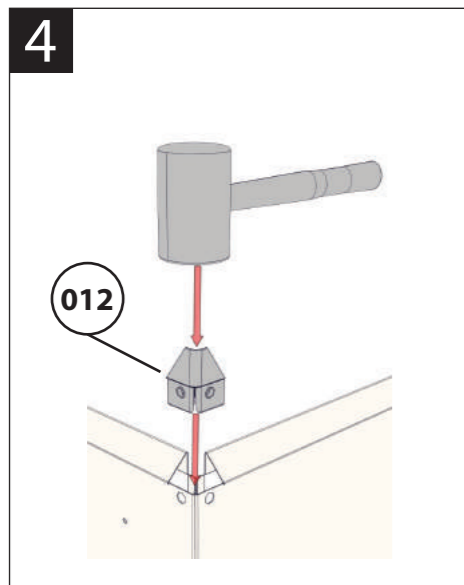
1 Screw Rear Left and Rear Right panels together using M5 screws as shown. Push down onto corner brackets with the Side Panel.



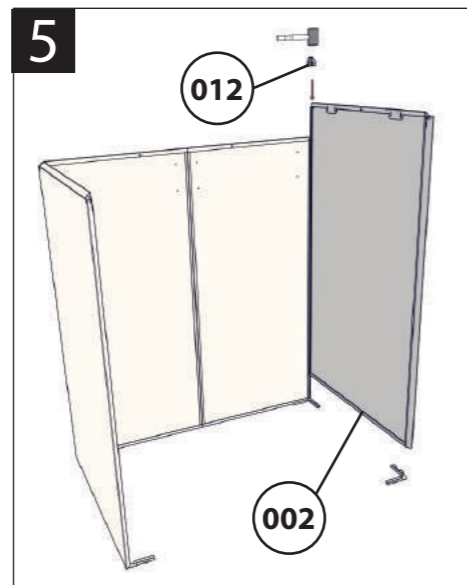
2 Alternatively, use timber base frame as shown.



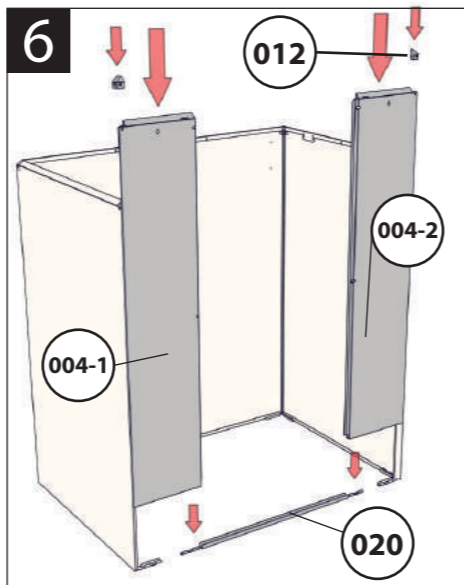
3 Anchor box to timber base using appropriate fixings.



4 Now insert a plastic cap into the holes in the top of the panel to join them. Tap into place with a mallet.

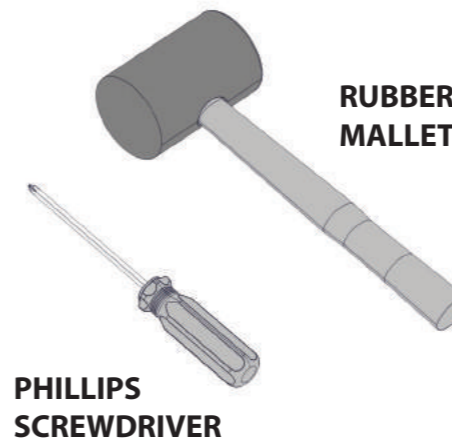


5 Insert the other side panel and cap.



6 Slot Front Left and Front Right panels into the Lower Brace and Corner Brackets. Tap Corner Caps into place with a mallet.

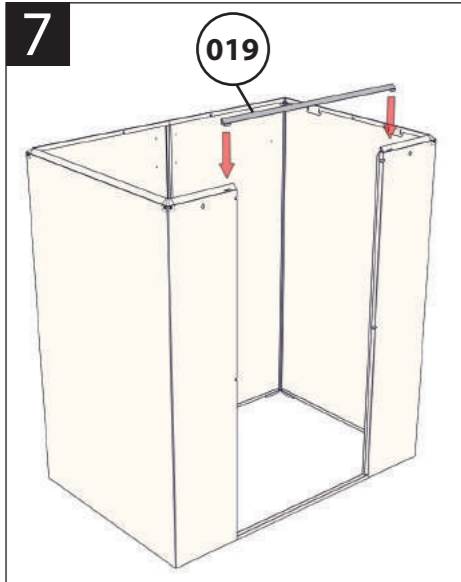
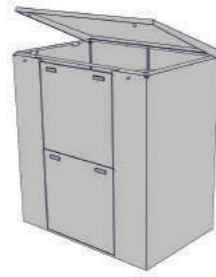
REQUIRED TOOLS



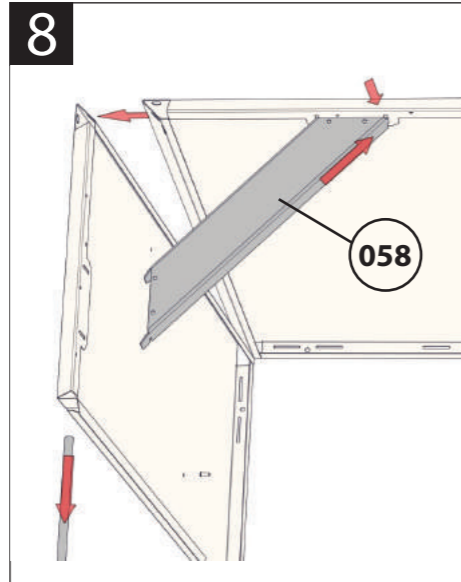
Part No.	Description	Qty.
002	SIDE PANEL	2
003-1	REAR PANEL LEFT	1
003-2	REAR PANEL RIGHT	1
004-1	FRONT PANEL LEFT	1
004-2	FRONT PANEL RIGHT	1
005	REMOVABLE FRONT DOOR	2
006	TOP DOOR	1
007	CORNER BRACKET	4
008	HINGE PIN	2
010	DOOR LATCH	2
012	PLASTIC CAP	4
013	LOCK BRACKET	2
13B	LOCK SCREWS	2
014	DOOR HANDLE	4
019	TOP BRACE	1
020	BOTTOM BRACE	1
058	TOP CORNER BRACKET LH	1
059	TOP CORNER BRACKET RH	1



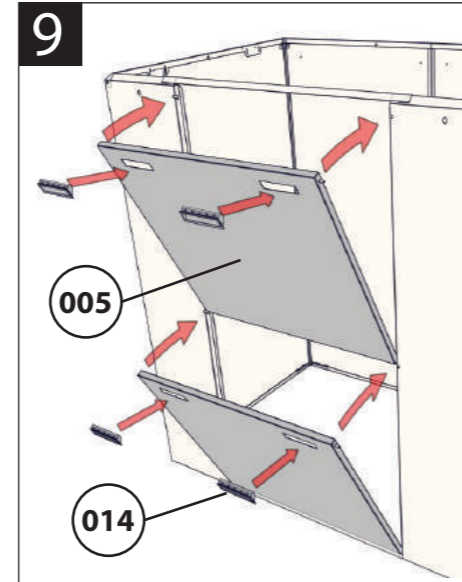
MODEL 1800H



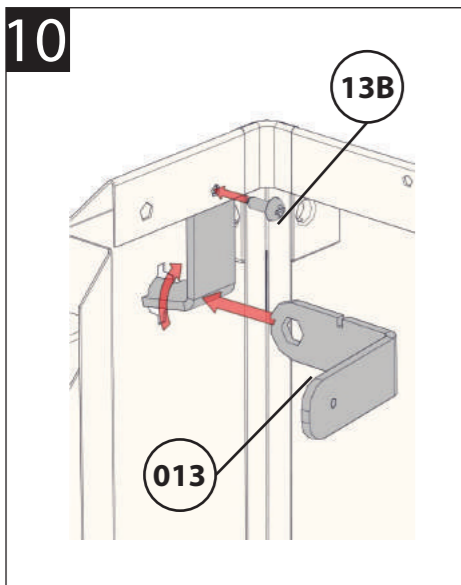
7 Insert Top Brace into slots in Front Left and Front Right Panels.



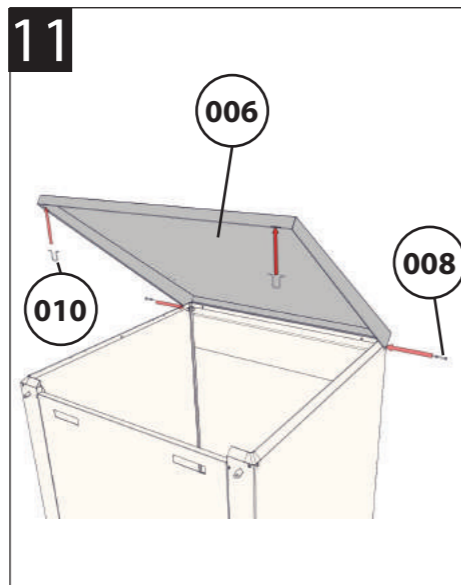
8 Insert corner gussets into the side and front panels by inserting into the corner and pushing downwards. Remove metal dowel if applicable to your model.



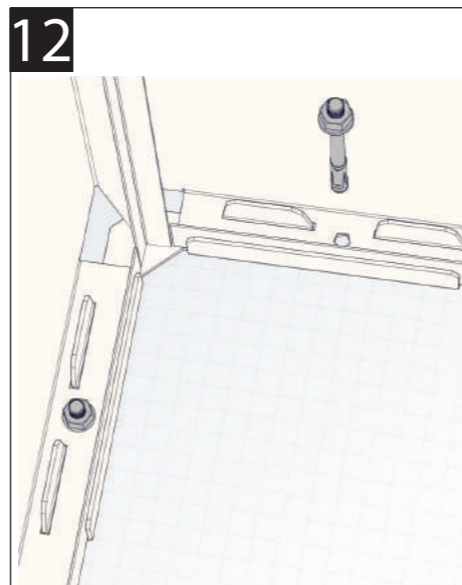
9 Insert the handles into the door until a "click" is heard. Place the removable front door into the panel by placing the lip of the door over the front panel step. Insert the door by aligning the studs on the side with the slots in the front panel. Push in slightly and then down.



10 Connect lock brackets to the front panel by inserting them sideways into the slotted holes as shown. Twist into an upright position and screw into place.



11 Attach top door to unit with hinge pins. Align pins with holes and tap into place with a mallet.



12 If you are in a high wind area, The Acoustic Box suggests that you anchor the box to a hard surface. Use appropriate fixings to anchor firmly.



50/45 Powers Rd, Seven Hills, NSW 2147
T: (02) 9620 5430 E: info@acousticbox.com.au W: www.acousticbox.com.au

For our **3D Assembly Instructions** please scan the QR code below or go to:

<https://www.acousticbox.com.au/html/acoustic-box-301118/index.html>

